

# AMG-1800

Series

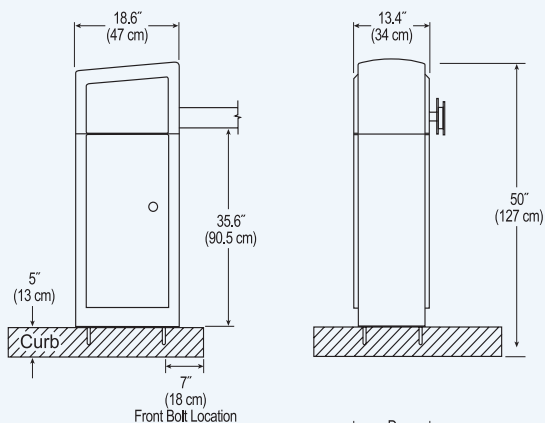
## ***Direct Drive Parking Gate***



*Amano McGann's AMG-1800 Series Direct Drive Parking Gate offers the safety and convenience of opening automatically in the event of power failure. The microprocessor-based logic and functionality provides the ultimate in reliability, performance and safety, as well as the flexibility to accommodate three different modes of operation.*

## Parking Gate

# AMG-1800



Letter	Measurement
A	8.7" (22 cm)
B	7" (18 cm)
C	11.8" (30 cm)
D	13.4" (34 cm)
E	18.64" (47.4 cm)
F	9.9" (25.16 cm)
G	6" (15.24 cm)

■ CONFINE RIGID CONDUIT NO MORE THAN 2" (5 cm) HIGH IN THIS AREA.

## FEATURES

- Slim, cabinet-style design* ◀
- Three selectable modes of operation* ◀
- Pre-installed detector harness* ◀
- Microprocessor-based logic and functionality* ◀
- Auto raise safety feature* ◀
- 12' standard gate arm and 11' folding gate arm configurations available* ◀
- Dual powder coat finish* ◀
- Auto open feature in event of power failure* ◀
- Maintenance-free torque motor and lever system with counterbalance springs* ◀
- Removable cover for access to drive mechanism* ◀

REPRESENTED BY:

## SPECIFICATIONS

### ELECTRICAL

120V AC, 60 Hz

**Power consumption:** 60W

**Service amps:** 15A

**Connections:**

- Four utility power outlets GFCI
- DIN rail terminal blocks
- Main power breakers

**Field wiring:** **AMG-1850**

- Dry contact input, output
- 24VAC unregulated

### MOTOR CHARACTERISTICS

**Horsepower:** 1/18 HP Instant Reversing Torque Motor

**Speed:** 11 RPM

**Starting amps:** 750mA

**Running amps:** 370mA

Internal thermal/overload protection

### ENVIRONMENT

**Temperature:** -20°F ~120°F (-29°C ~ 49°C)

**Humidity:** 10% ~ 90% (non-condensing)

### HOUSING

Heavy-duty, 14-gauge all-weather steel construction

**Dimensions:** 45.1"H x 13.4"W x 18.6"D (114 cm x 34 cm x 47 cm)

**Weight:** 154 lbs. (70kg)

**Access:**

- Removable cover on drive mechanism (360° access)
- Lockable door (access to electrical connections and control box)

**Finish (Std):** Argento Silver (#305) cabinet / Classic Grey (#314) side panels; White (RAL#9003); custom color available

### GATE ARM

**Height:** 35.6" (90 cm) as shipped in DOWN position

**Length:** AL12: 12' (365 cm) — aluminum

AL30: 11' (323 cm) folding gate arm — aluminum

**Opening time:** Approx 2.1 seconds

**Closing time:** Approx 2.4 seconds

### MICROPROCESSOR-BASED CONTROLLER

Quick, plug-in installation. Gate up/normal/down switch (internal manual override)

**Operation modes:**

- One way pay
- Bi-directional lane
- Free direction

**Features:**

- Extra Sensory Detection
- Backout Timer
- Closing Loop Safety "auto raise"

Manufactured by Amano Cincinnati, Inc.'s Ohio factory, an ISO 9001:2000 registered facility. Specifications are approximate and are subject to change without notice.



# AMANO McGANN®

Corporate Headquarters 651 Taft Street NE, Minneapolis, MN 55413  
Tel: (612) 331-2020 [www.amanomcgann.com](http://www.amanomcgann.com)