

# AMG-2570

Series

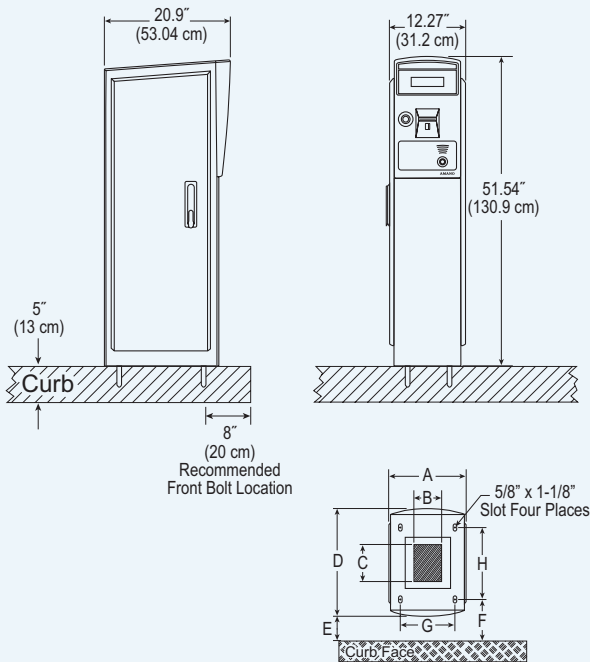
## Entry Station



*The AMG-2570 Series Entry Station is designed for multiple uses, typically at the unattended entrances of a parking facility. The AMG-2570 adds access cards and credit card functionality such as ticket in/credit card out, and credit card in/credit card out when used with an AMG-4570 Series Exit Station. Integration with the optional proximity reader adds the ability to accept contract and monthly parker pass cards for entry.*



Series  
**AMG-2570**



CONFINE RIGID CONDUIT NO MORE THAN 2" (5 cm) HIGH IN THIS AREA.

A = 12.27" (31.2 cm)    C = 8" (20.32 cm)    \*E = 5" (13 cm)    G = 7.48" (19 cm)  
 B = 4" (10.16 cm)    D = 20.9" (53.04 cm)    \*F = 8" (20 cm)    H = 11.75" (29.8 cm)

\*Recommendation only. Installation requirements may vary.

## FEATURES

- ◀ **Uses common hardware components (RWPV-based) for fewer inventoried parts and reduced service training**
- ◀ **Field programmable operation utilizing handheld wireless remote control**
- ◀ **Accommodates credit card size mag-stripe media**
- ◀ **Magstripe access card / credit card acceptance optional**
- ◀ **Proximity Technology Reader Integration optional**
- ◀ **Integrated intercom**
- ◀ **Personalized panel option**
- ◀ **Std. panel – no text**
- ◀ **Dual powder coat finish**

## SPECIFICATIONS

### COMPLIANCE

#### PCI PA-DSS (Payment Application Data Security Standard) Compliant

AMG-2570 Series lane equipment does not store credit card data.

Meets ADA (Americans with Disabilities Act) and ANSI (American National Standards Institute) requirements

### ELECTRICAL

120V AC, 60 Hz

220/240V AC, 50/60 Hz

10 amp max. (120V) 5 amp max. (240V)

Multiple I/O capability for ticket tracking, counts and monitoring

### MECHANICAL

Automatic dual ticket feed; dot matrix printer; cartridge ribbon; exclusive RWPV™ (read, write, print and vault) magstripe mechanism

### TIME CONTROL

Real-time clock synchronization with host computer

Built-in crystal controlled perpetual calendar

Programmable Daylight Saving Time adjustment

### ENVIRONMENT

**Temperature:** -20°F ~ 120°F (-29°C ~ 49°C)

Automatic thermostat-controlled heater included

**Humidity:** 10% ~ 90% (non-condensing)

### HOUSING

Heavy-duty, 14 gauge steel construction, weather gasketing, lockable door.

**Dimensions:** 51.54"H x 12.27"W x 20.9"D (130.9 cm x 31.2 cm x 53.04 cm)

**Ticket throat:** 41" (104 cm)

**Weight:** 135 lbs. (61 kg)

**Finish (Standard):** Argento Silver (#305) cabinet / Classic Grey (#314) side panels; White (RAL#9003); custom color available

### PRINTER

Large (7 x 9 dot pattern) dot matrix printer

Prints date and time (12 & 24-hour format), ticket number, machine number and rate

Marks and voids retracted tickets

Self sharpening cutter blade

### TICKETS

Uses fanfold tickets: 5,000 tickets/carton. Holds two cartons.

Credit card size receipt tickets: 2-1/8" x 3-3/8" (5.41 cm x 8.59 cm)

### OPTIONS

2nd I/O Rack (passcard readers lockout)

Magstripe and proximity access card models optional

### INTERCOM

Aiphone™ LEF series intercom system

Standard user recordable voice announcement

*Specifications are approximate and are subject to change without notice.  
 UL approval does not apply to 220/240V AC, 50/60 Hz*



REPRESENTED BY:

# AMANO McGANN

2699 Patton Road, Roseville, MN 55113

Tel: (612) 331-2020 [www.amanomcgann.com](http://www.amanomcgann.com)